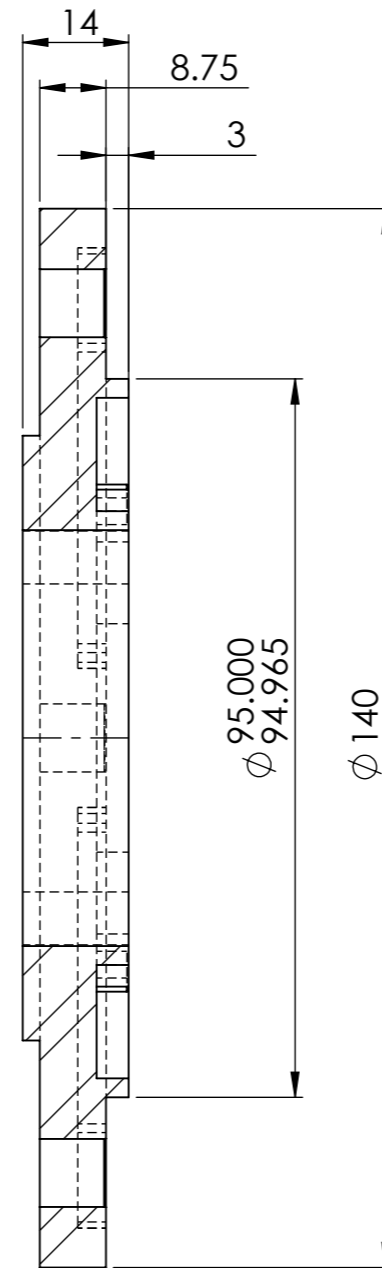
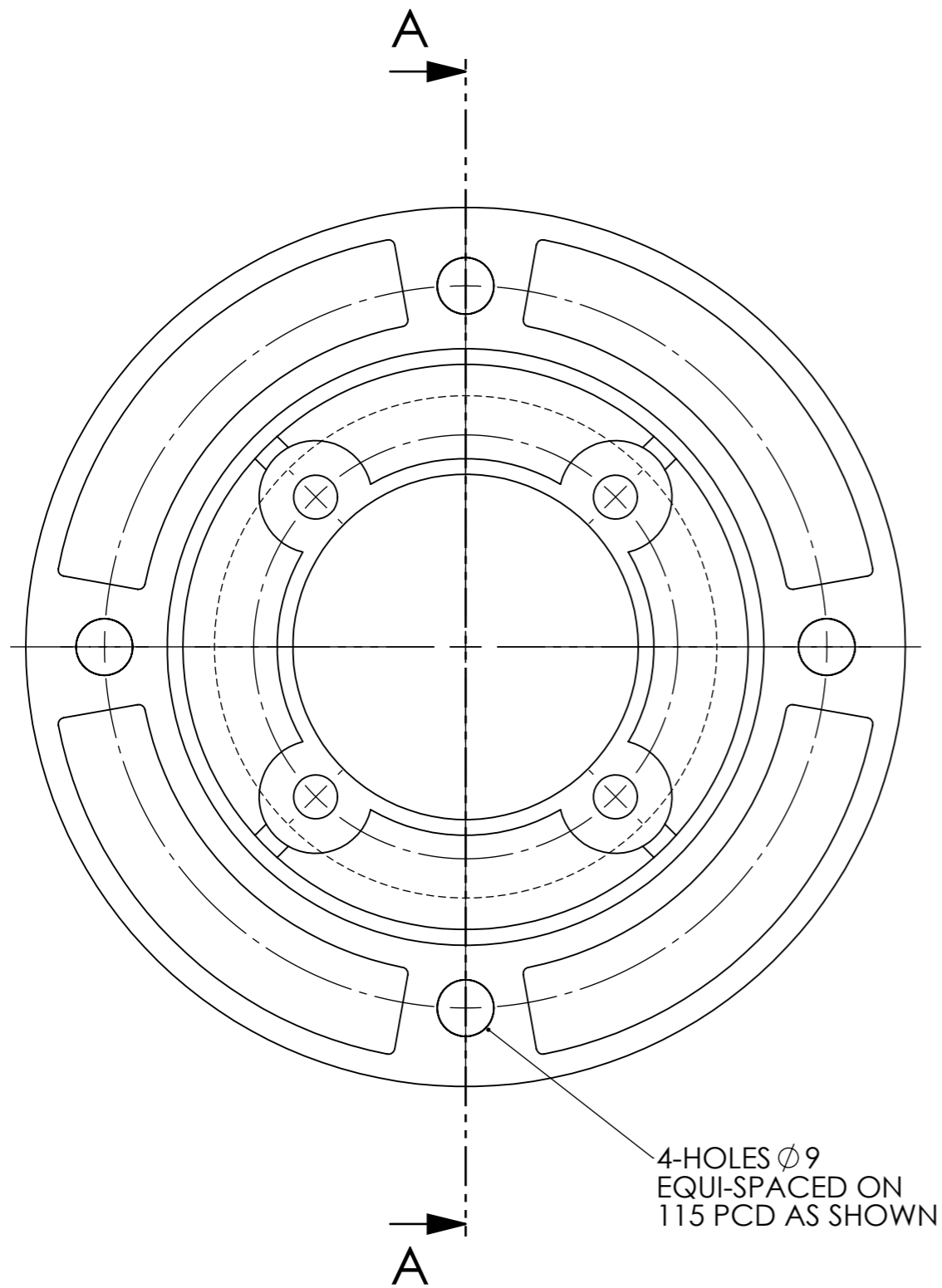
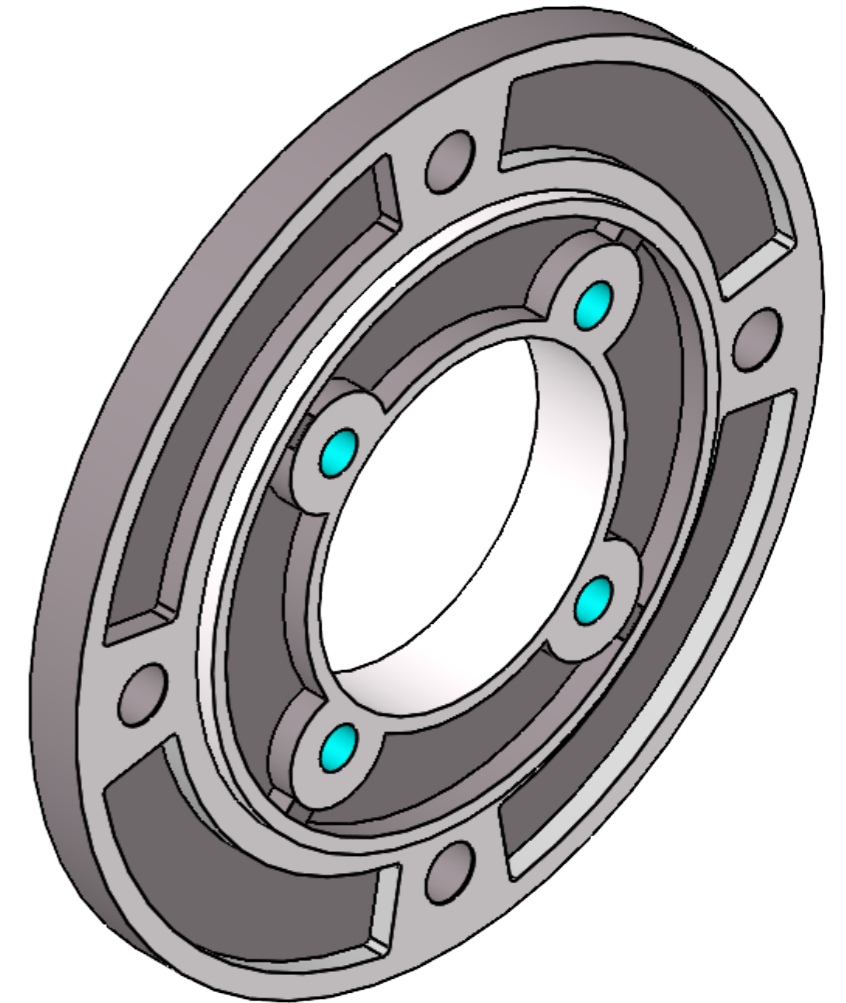


IF IN DOUBT - ASK



SECTION A-A



EMAG		ELECTRIC MOTORS & GEARBOXES LTD	
		ASHMORE LAKE INDUSTRIAL ESTATE, WILLENHALL, WEST MIDLANDS, WV12 4LH	
		PHONE 01902 601403, FAX 01902 601408.	
		E MAIL sales @emag-ltd.co.uk	
THIS DRAWING IN DESIGN & DETAIL IS THE PROPERTY OF EMAG LTD AND IS INTENDED SOLELY FOR THE USE OF THE PERSON OR COMPANY TO WHOM IT IS ISSUED. IN NO EVENT SHALL IT BE COPIED OR LOANED WITHOUT THE EXPRESS PERMISSION OF EMAG LTD			
© ELECTRIC MOTORS & GEARBOXES LTD		FIRST ANGLE PROJECTION	
TITLE HL20_FL_D140_20096514		CLIENT	
DRAWN R SPENCER	SCALE 1:1 (A3)	DRG No	HL20 FL 140
DATE			