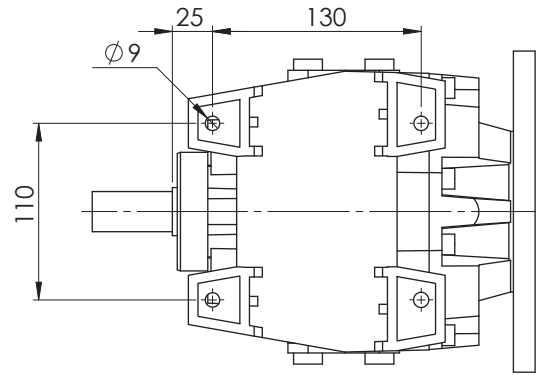
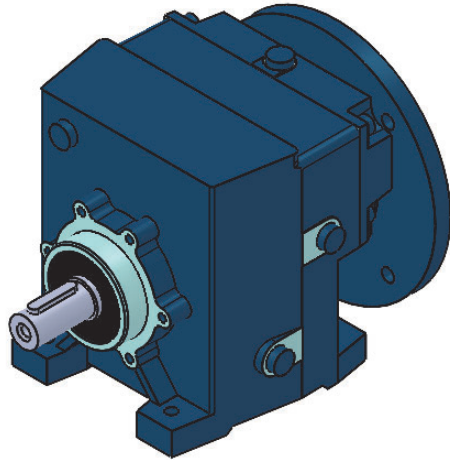
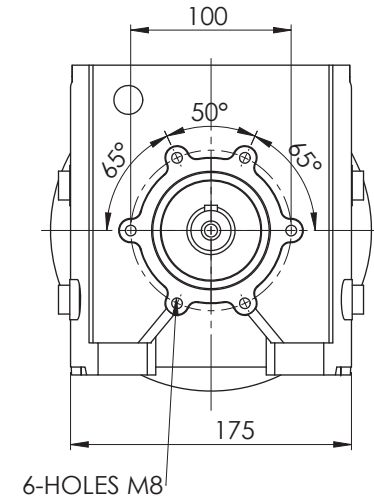
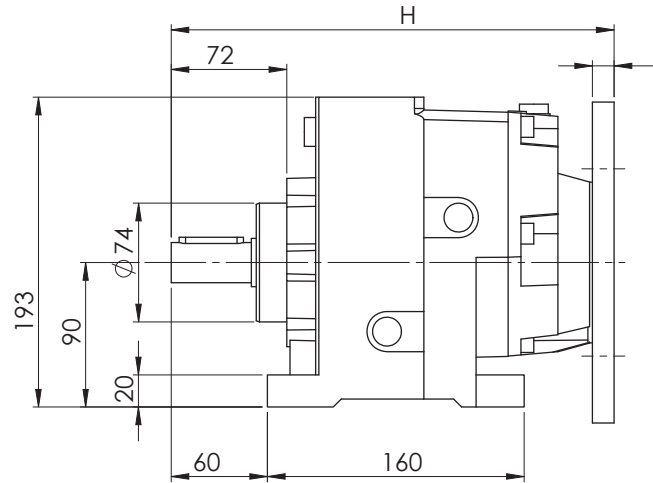
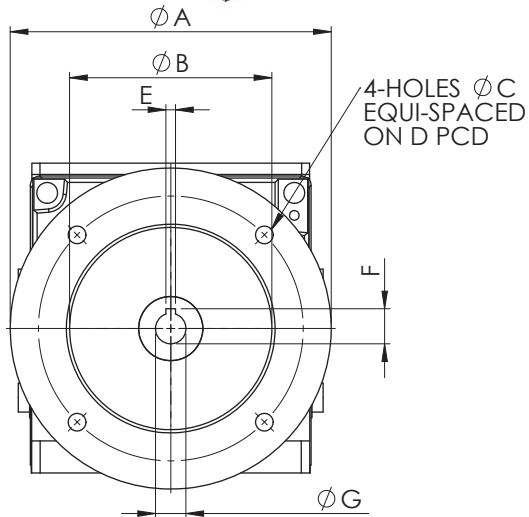


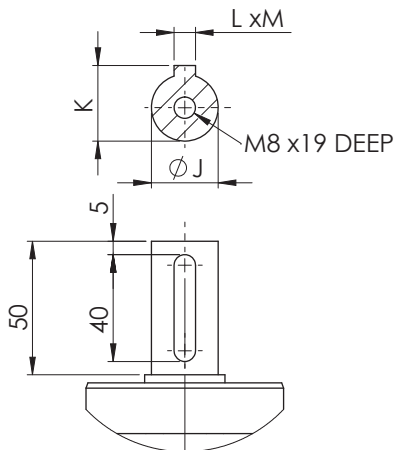
IF IN DOUBT - ASK




INPUT FLANGE DIMENSIONS									
	A	B	C	D	E	F	G	H	I
63 B5	140	95	10	115	4	12.8	11	276	12
71 B5	160	110	10	130	5	16.2	14	282	10
71 B14	105	70	7	85	5	16.2	14		
80 B5	200	130	12	165	6	21.5	19	276	11
80 B14	120	80	7	100	6	21.5	19		
90 B5	200	130	12	165	6	27	24	276	11
90 B14	140	95	7	115	6	27	24		
100 B5	250	180	14	215	8	31	28	279	13
100 B14	160	110	10	130	8	31	28		



25/2	MOTOR				
RATIO	63	71	80	90	100
1.90				/	/
2.77			/	/	/
3.75			/	/	/
4.34			/	/	/
5.25			/	/	/
6.36			/	/	/
7.37			/	/	/
8.58			/	/	/
10.07	/	/	/	/	/
11.92	/	/	/	/	/
14.31	/	/	/		
16.32	/	/	/		
18.80	/	/	/		
21.94	/	/	/		
26.05	/	/			
31.65	/	/	/		
35.29	/	/	/		
44.22	/	/	/		
49.12	/	/	/		



	OUTPUT SHAFT DIMENSIONS			
	J(j6)	K	L	M
OPTIONAL	24	27.3	8	7
STANDARD	25	28.3	8	7



ELECTRIC MOTORS & GEARBOXES LTD
 ASHMORE LAKE INDUSTRIAL ESTATE, WILLENHALL, WEST MIDLANDS, WV12 4LH
 PHONE 01902 601403, FAX 01902 601408.
 E MAIL sales@emag-ltd.co.uk

THIS DRAWING IN DESIGN & DETAIL IS THE PROPERTY OF EMAG LTD AND IS INTENDED SOLELY FOR THE USE OF THE PERSON OR COMPANY TO WHOM IT IS ISSUED. IN NO EVENT SHALL IT BE COPIED OR LOANED WITHOUT THE EXPRESS PERMISSION OF EMAG LTD

© ELECTRIC MOTORS & GEARBOXES LTD		FIRST ANGLE PROJECTION	
TITLE MNHL 25		CLIENT	
DRAWN R SPENCER	SCALE 1:3.33 (A3)	DRG No MNHL 25/2 GEAR UNIT	
DATE			