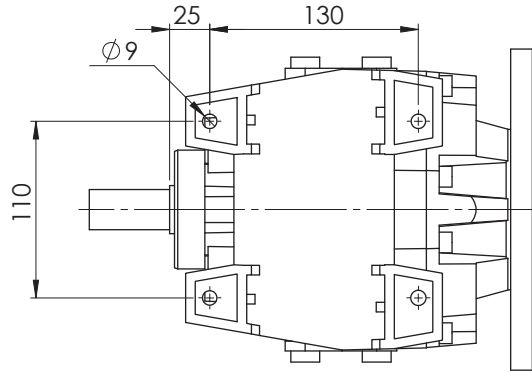
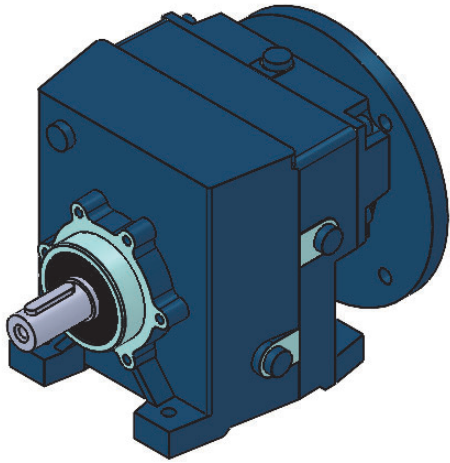
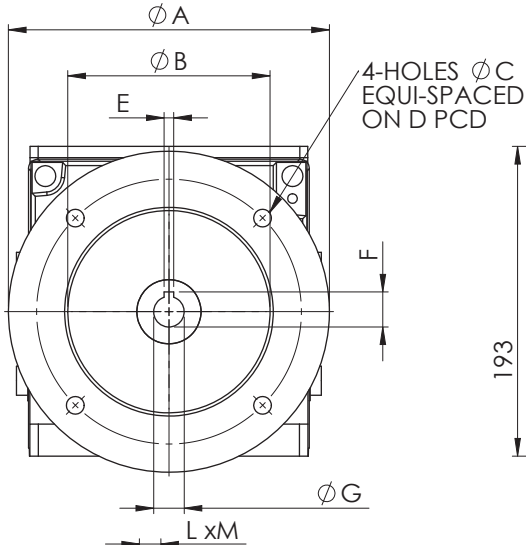


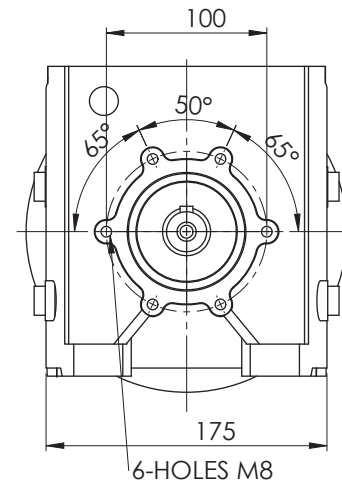
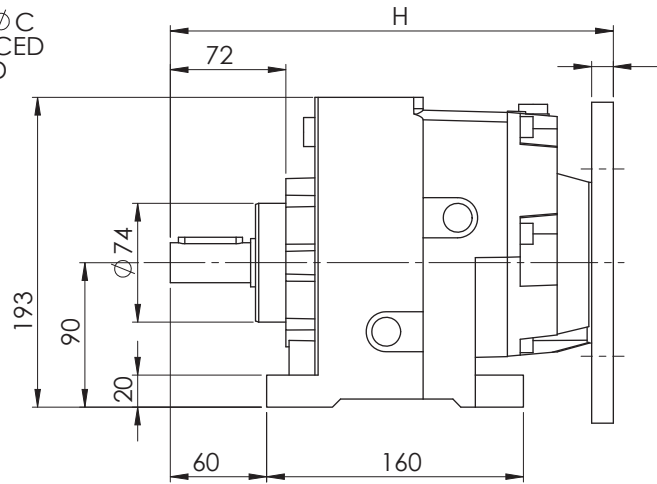
IF IN DOUBT - ASK



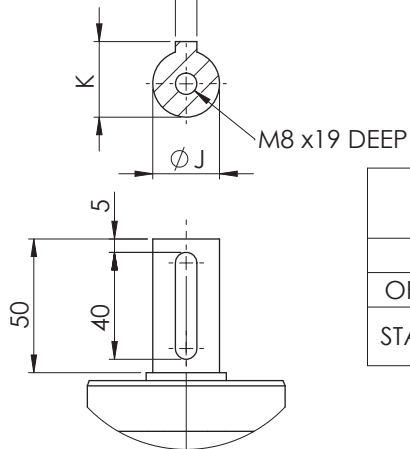
INPUT FLANGE DIMENSIONS									
	A	B	C	D	E	F	G	H	I
56 B5	120	80	7	100	3	10.2	9	270	7
63 B5	140	95	10	115	4	12.8	11	269	9
71 B5	160	110	10	130	5	16.2	14	268	9
71 B14	105	70	7	85	5	16.2	14		




4-HOLES ØC
EQUI-SPACED
ON D PCD



25/3	MOTOR		
RATIO	56	63	71
52.10	/	/	/
59.93	/	/	/
69.61	/	/	/
81.87	/	/	/
97.90	/	/	/
117.73	/	/	/
133.97	/	/	/
152.58	/	/	/
185.33	/	/	/
210.88	/	/	/
240.03	/	/	/



	OUTPUT SHAFT DIMENSIONS			
	J(j6)	K	L	M
OPTIONAL	24	27.3	8	7
STANDARD	25	28.3	8	7

		ELECTRIC MOTORS & GEARBOXES LTD ASHMORE LAKE INDUSTRIAL ESTATE, WILLENHALL, WEST MIDLANDS, WV12 4LH PHONE 01902 601403, FAX 01902 601408. E MAIL sales @emag-ltd.co.uk	
		THIS DRAWING IN DESIGN & DETAIL IS THE PROPERTY OF EMAG LTD AND IS INTENDED SOLELY FOR THE USE OF THE PERSON OR COMPANY TO WHOM IT IS ISSUED. IN NO EVENT SHALL IT BE COPIED OR LOANED WITHOUT THE EXPRESS PERMISSION OF EMAG LTD	
© ELECTRIC MOTORS & GEARBOXES LTD		FIRST ANGLE PROJECTION	
TITLE MNHL 25		CLIENT	
DRAWN R SPENCER	SCALE 1:3.33 (A3)	DRG No	MNHL 25/3 GEAR UNIT
DATE			