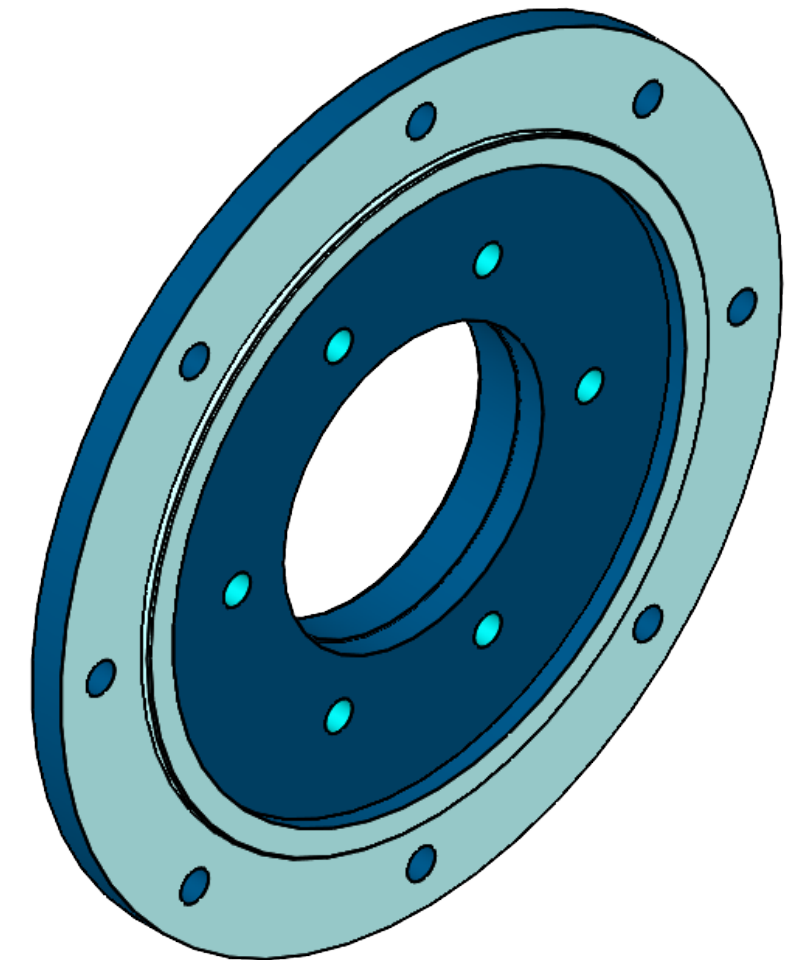
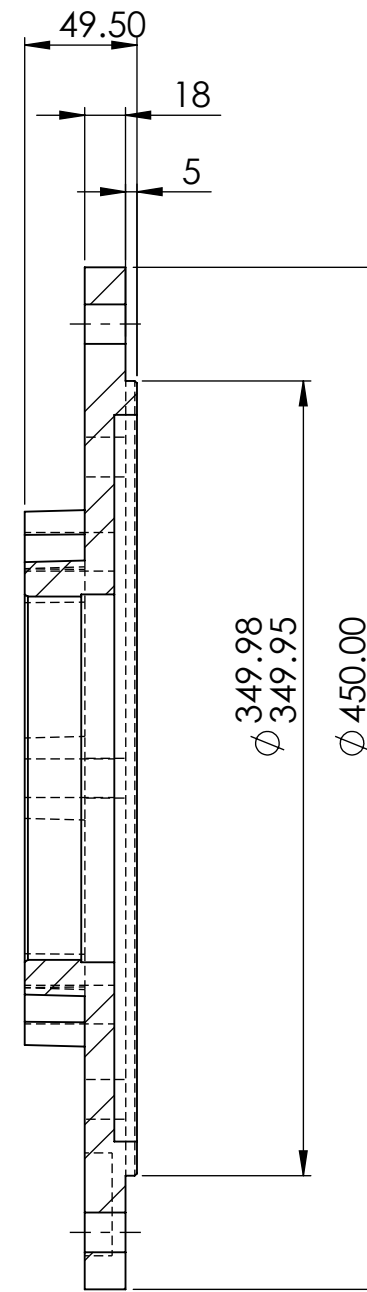
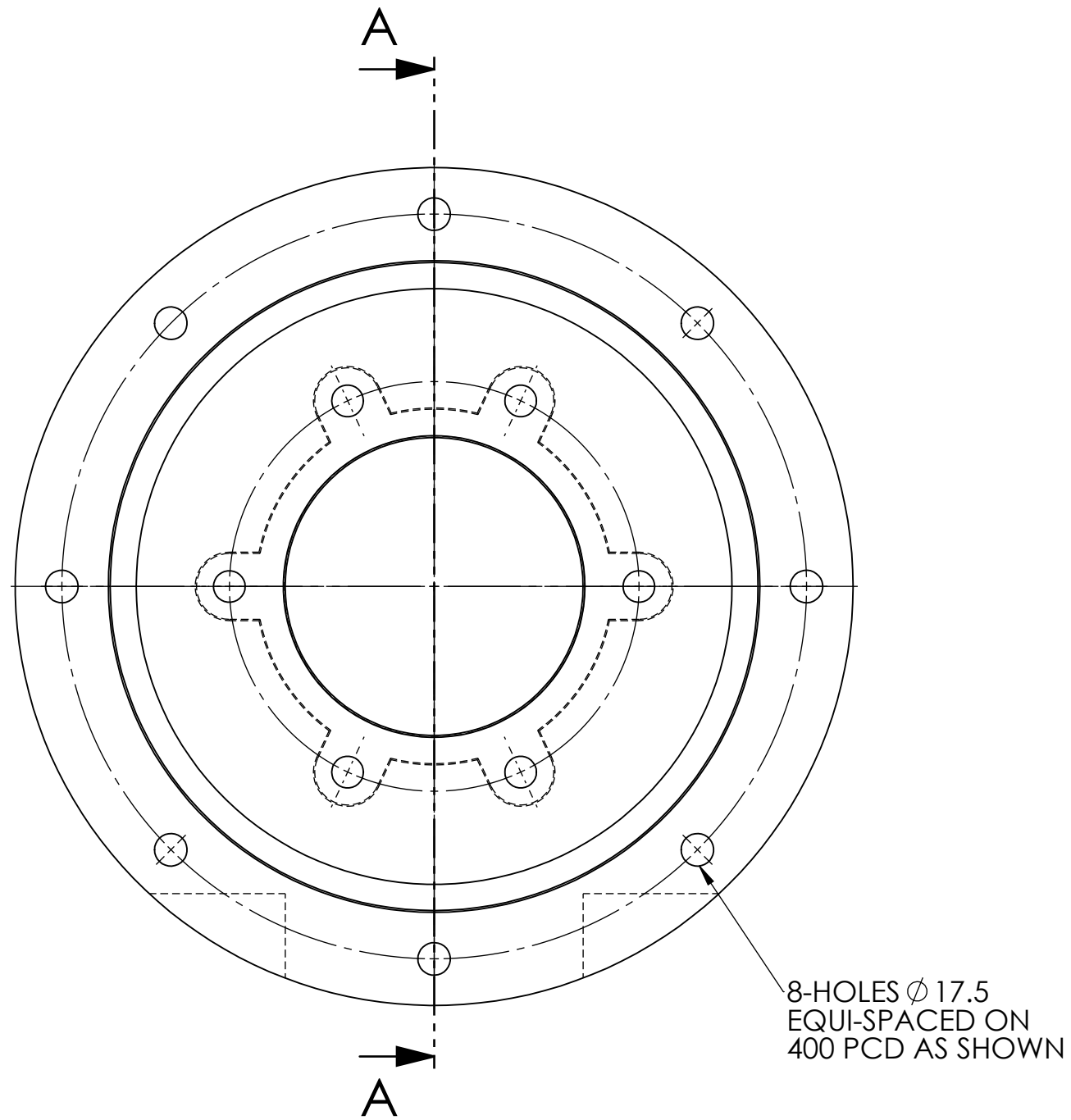


IF IN DOUBT - ASK



		<b>ELECTRIC MOTORS &amp; GEARBOXES LTD</b> ASHMORE LAKE INDUSTRIAL ESTATE, WILLENHALL, WEST MIDLANDS, WV12 4LH PHONE 01902 601403, FAX 01902 601408. E MAIL sales @emag-ltd.co.uk	
THIS DRAWING IN DESIGN & DETAIL IS THE PROPERTY OF EMAG LTD AND IS INTENDED SOLELY FOR THE USE OF THE PERSON OR COMPANY TO WHOM IT IS ISSUED. IN NO EVENT SHALL IT BE COPIED OR LOANED WITHOUT THE EXPRESS PERMISSION OF EMAG LTD			
© ELECTRIC MOTORS & GEARBOXES LTD		FIRST ANGLE PROJECTION	
TITLE HL70_FL_450_20103012		CLIENT	
DRAWN R SPENCER	SCALE 1:3.33 (A3)	DRG No	<b>HL70 FL D450</b>
DATE			